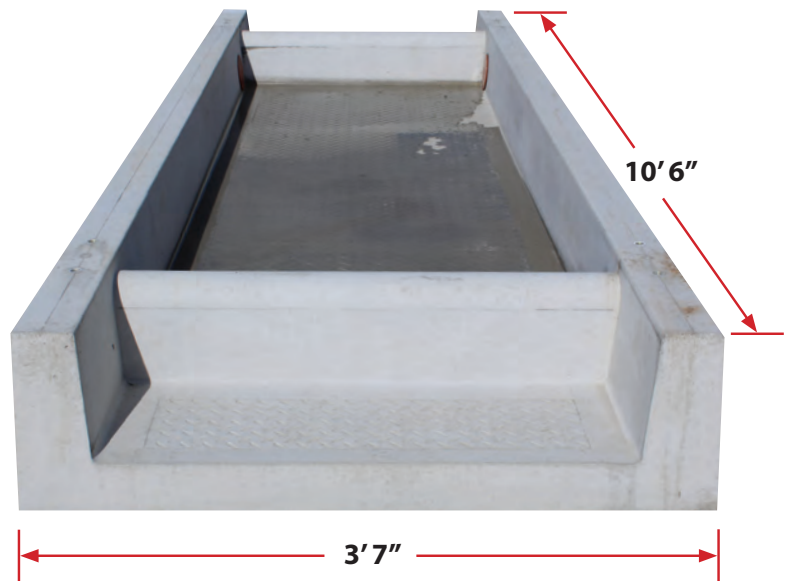


The Foot-bath product has arrived as a solution to a problem with the threat of Mortellaro in herds at present. Cows are walking more and further to paddocks, this can cause lameness. This can affect the milk yield of any one cow and therefore effect the bottom line for the farmers income.

By putting cows through a daily foot-bath solution farmers can reduce infection where (Mortellaro) hoof infection has become very common within the herd. Cows don't like stepping down, it makes them nervous and if they are nervous there is more dunging. This is where a cow will not place the hoof fully into the solution, one of the reasons this can happen is when you have a plastic foot-bath they have a uneven surface and they can move from under the animal and can also make noise which makes the animal nervous. The concrete Foot- bath removes this issue and proves a better option.



**Capacity 280 liters or 61 gallons**

## FEATURES:

- Made from 40N concrete - very hard wearing.
- Level platform inside and outside (No stepping down into footbath).
- Two large wash outlets on both sides.
- Fixed bolt holes for side barrier.

## BENEFITS:

- Assist in the prevention and treatment of hoof diseases and lameness.
- Reduce the spread of infection.
- Reduce solution waste.

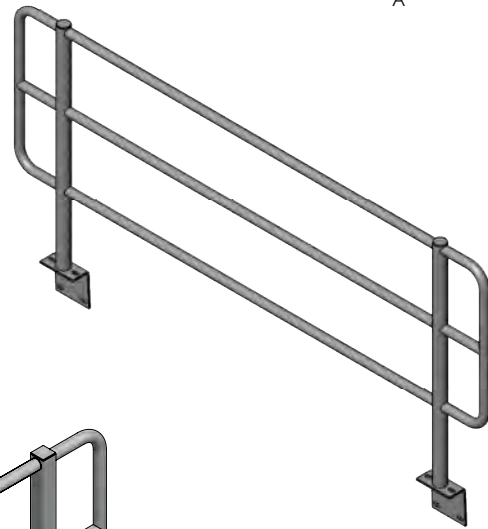
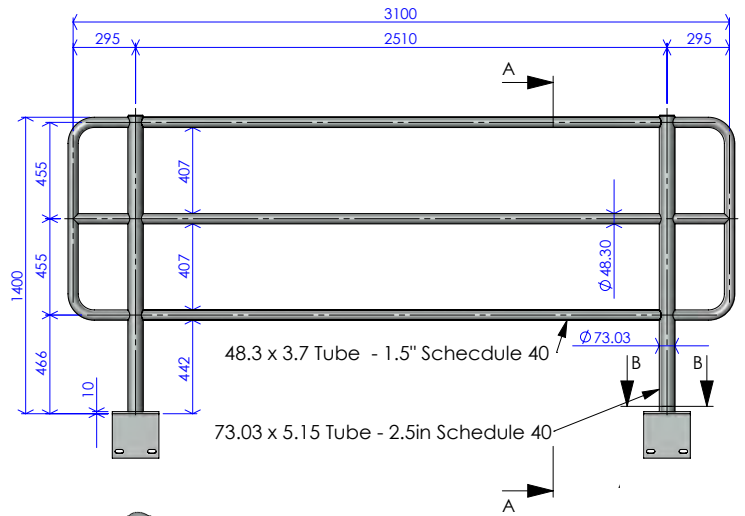


## OPTIONAL EXTRA:

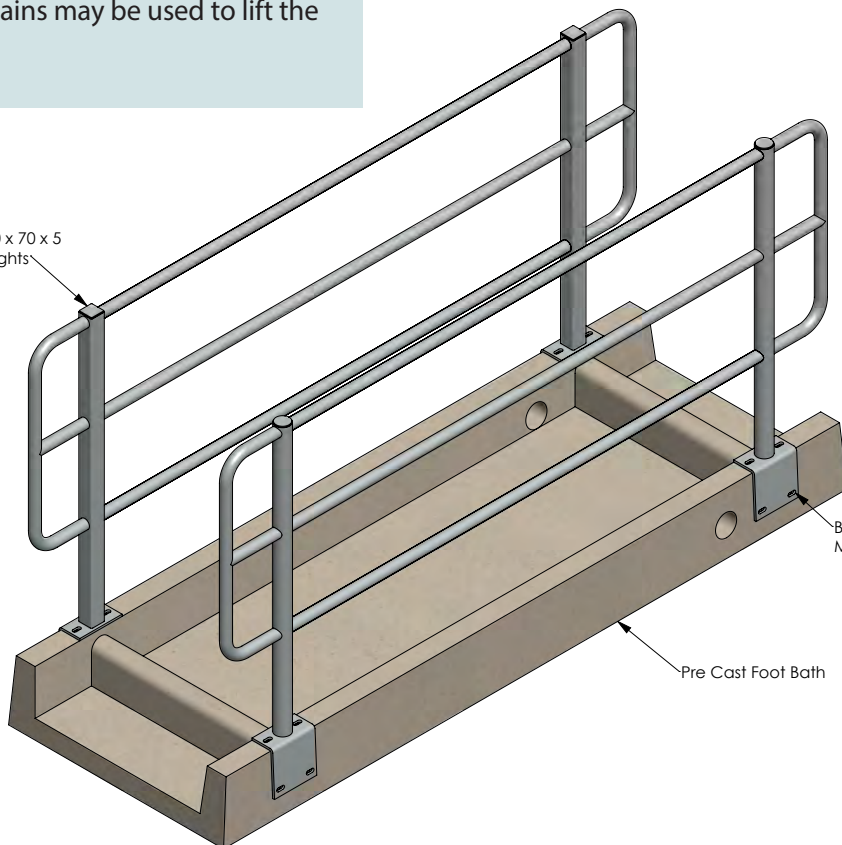
Side rails can be supplied as an optional extra with our footbaths.

## BENEFITS:

- When using side rails, the footbath can be placed in a temporary location.
- If placing footbath beside a wall or placing two footbaths side by side, the side rails can be removed to suit any situation.
- Fully galvanized steel.
- No drilling of the concrete as there is built in 16mm thread holes for the bolts.
- There is four lifting points where slings or chains may be used to lift the product.



Option to use 70 x 70 x 5 Box Section uprights



Barrier fixed to precast foot bath using M16 grade 8.8 bolts with washers

Pre Cast Foot Bath

# Murphy

Concrete Products Ltd.



## Contact Us

Our sales, customer support and technical team are available to speak with you at any stage.



## Sales Contact

[sales@murphyconcreteproducts.ie](mailto:sales@murphyconcreteproducts.ie)



## Office

Tel: 00-353-53-053 9256026  
[info@murphyconcreteproducts.ie](mailto:info@murphyconcreteproducts.ie)  
Old Dublin Rd, Enniscorthy,  
Co. Wexford, Ireland  
Y21 AF43

[www.murphyconcreteproducts.ie](http://www.murphyconcreteproducts.ie)