

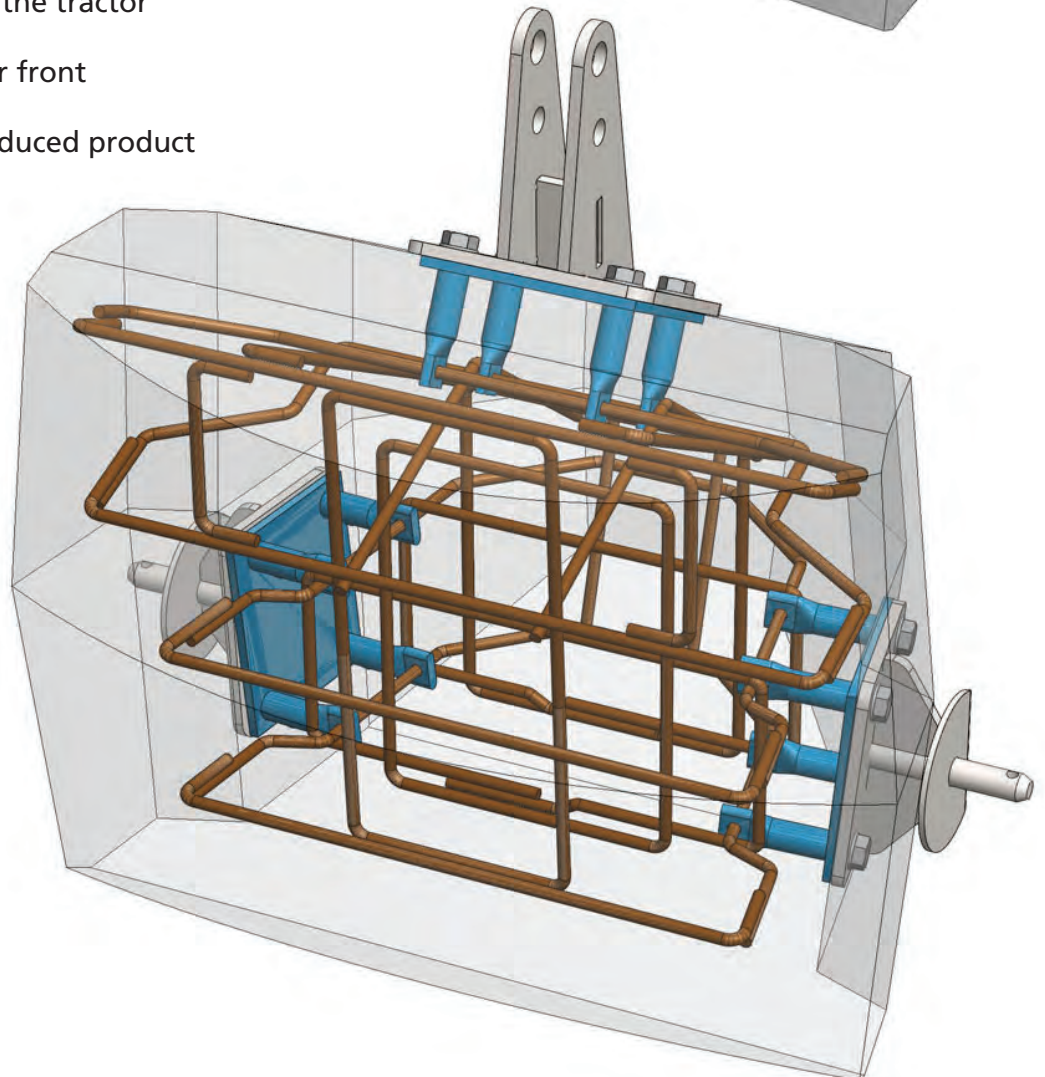
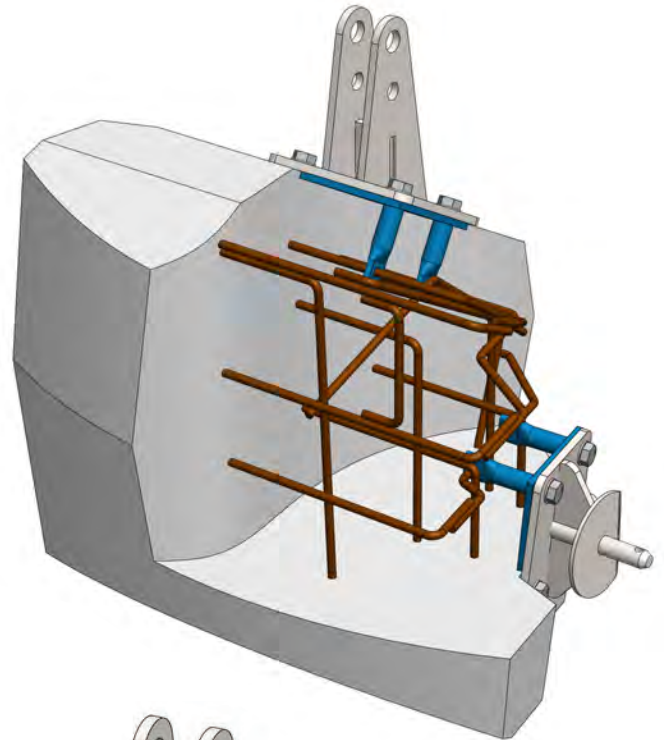
TRACTOR WEIGHTS

General notes on our Tractor Weights:

- 650 KG & 1000 KG Concrete ballast Weight
- Fully designed Reinforced steel cage
- Manufactured high strength concrete
- Compact design
- Front and rear mounted

Benefits:

- Quality and strong value alternative to the cast iron equivalent
- Safer balance load for the tractor
- 3 point linkage back or front
- Irish designed and produced product



Murphy

Concrete Products Ltd.



Murphy

Concrete Products Ltd.



Contact Us

Our sales, customer support and technical team are available to speak with you at any stage.



Sales Contact

sales@murphyconcreteproducts.ie



Office

Tel: 00-353-53-053 9256026
info@murphyconcreteproducts.ie
Old Dublin Rd, Enniscorthy,
Co. Wexford, Ireland
Y21 AF43

www.murphyconcreteproducts.ie